

Pedal Force Event Marker Interface

(RLACS292)

The VBOX Pedal Force Event Marker Interface captures the precise moment that any pressure is applied to a brake pedal and outputs a digital signal, which can be used to trigger the start of a test.

It connects inline between the VBOX Brake Pedal Force Sensor (RLACS282) and Digital input port on a VBOX 3i. The interface acts in a similar way to a traditional brake pedal trigger, but with the added benefit of also allowing the measurement of pedal force.

The internal circuitry of the interface constantly monitors the pedal force sensor voltage and adjusts the trigger threshold. This accounts for any fluctuations in pedal force caused by changes in temperature of the sensor itself, preventing incorrect trigger activation.



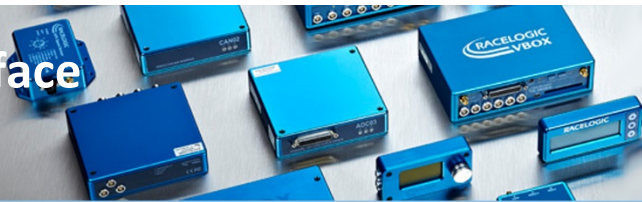
Features:

- Triggers the start of a brake test when pressure is applied to the brake pedal
- Enables trigger and force to be measure with one sensor
- <5 N Activation
- Connects inline between the VBOX Pedal Force Sensor and VBOX 3i
- Ideal for brake tests such as SAE J2909 and ECE Regulation 13-H (Brake Assist Systems)
- Easily see when the trigger is activated in VBOX Test Suite



Pedal Force Event Marker Interface

(RLACS292)



Specifications:

Technical	
Output Type	Active low open drain with a maximum sink current of 150 mA
Activation Force	<5 N

Environmental	
Operating Temperature range (C)	-40°C to +85°C

Power	
Power supply	4 – 40 V DC @ 10 mA Max The pedal force event marker interface is not designed to be connected directly to vehicle power. It connects to a VBOX 3i and gets power from this, as it requires the VBOX 3i power input protection.

Physical	
IP Rating	IP 50
Weight	94 g
Input Signal wire length	~320 mm
Output Signal wire length	~265 mm
Size (Length x Width x Height)	66 mm x 45 mm x 25 mm

Trigger output – 3-way Lemo			
Pin	In / Out	Function	
1	-		
2	-		
3	0	Trigger output to VBOX	
Chassis		Ground	

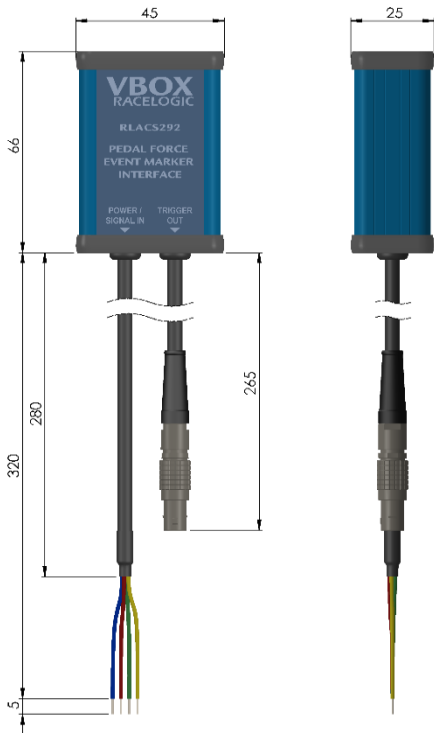
Package Contents:

Description	Product Code
1 x Pedal Force Event Marker Interface	RLACS292
1 x Pedal Force Event Marker Interface Output (Trigger) cable	INTCAB0046
1 x Pedal Force Event Marker Interface Input cable	INTCAB0047

Pedal Force Event Marker Interface (RLACS292)



Dimensions:



Dimensions are approximate.

Connections:

